

DESCRIPTION:

AMC MODEL MSN-4DT-05-DEC-MP OPTION 218, JN IS A SINGLE POLE FOUR THROW, ABSORPTIVE/NON-REFLECTIVE SWITCH MODULE WITH VERY LOW INSERTION LOSS, HIGH ISOLATION AND WITH INTEGRAL TTL DRIVER, DESIGNED FOR BROADBAND OPERATION.

SPECIFICATIONS:

- FREQUENCY: 2 GHz TO 18 GHz
- INSERTION LOSS: ABSORPTIVE: 3.5db
- ISOLATION: 2 GHz TO 18 GHz: 60db
- VSWR: ABSORPTIVE IN/OUT: 2.0:1
 ABSORPTIVE OUT/OFF: 2.0:1
- SPEED: RISE: 10ns TYPICAL, 15ns MAX.
 FALL: 10ns TYPICAL, 15ns MAX.
 DELAY ON: 75ns TYPICAL, 100ns MAX.
 DELAY OFF: 75ns TYPICAL, 100ns MAX.
- POWER INPUT: (CW)+20dBm (STANDARD), +10 dBm (HIGH SPEED)
- SURVIVAL POWER: 1 WATT CW, 10 WATTS PEAK 1 usec
- CONTROL: TTL LOGIC "D"=ON "I"=OFF
- POWER SUPPLY: +5V @ 200 mA MAX.
 -5V @ 100mA MAX.(ABSORPTIVE/NON-REFLECTIVE)

OPTIONS:

- 218 2 GHz TO 18 GHz FREQUENCY RANGE
- JN MEETING SPECIFICATIONS OF Mr. JOHN NOVAK FOR LOWEST INSERTION LOSS

ENVIRONMENTAL RATINGS:

- TEMPERATURE: -55°C TO +85°C (OPERATING)
 -65°C TO +125°C (STORAGE)
- HUMIDITY: MIL-STD-202F, METHOD 103B COND. B
- SHOCK: MIL-STD-202F, METHOD 213B COND. B
- VIBRATION: MIL-STD-202F, METHOD 204D COND. B
- ALTITUDE: MIL-STD-202F, METHOD 105C COND. B
- TEMPERATURE CYCLE: MIL-STD-202F, METHOD 107D COND. A

NOTE: THE ABOVE SPECIFICATIONS ARE SUBJECT TO CHANGE OR REVISION

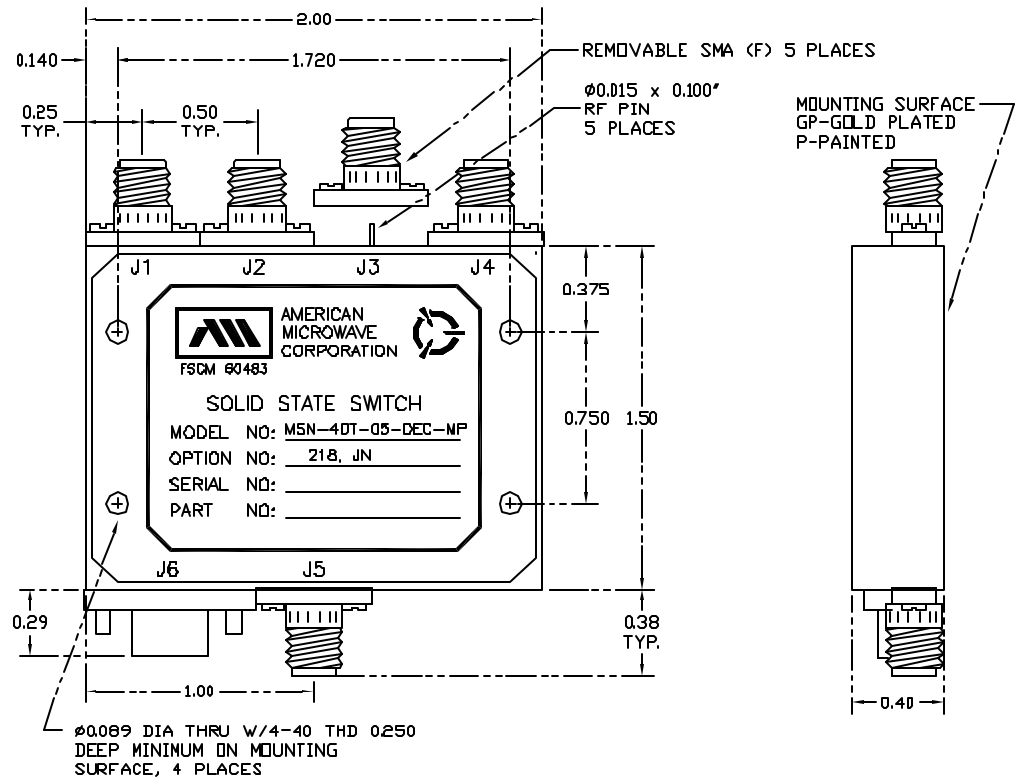
ALL DIMENSIONS ARE IN INCHES

TOLERANCES:

X.XX ±0.020

X.XXX ±0.010

REV.		REVISIONS		DATE	APPROVED
ZONE	REV.	DESCRIPTION			
-	-	ORIGINAL QUOTE # SA205046B		07/20/06	



PIN OUT TABLE	
2 BIT DECODER	
PIN NO.	FUNCTION
1	E1
2	E2
3	N/C
4	N/C
5	N/C
6	GND
7	+V
8	-V
9	GND

NOTE:

DR=WITH DRIVER, REFLECTIVE

DT=WITH DRIVER, NON-REFLECTIVE/ABSORPTIVE

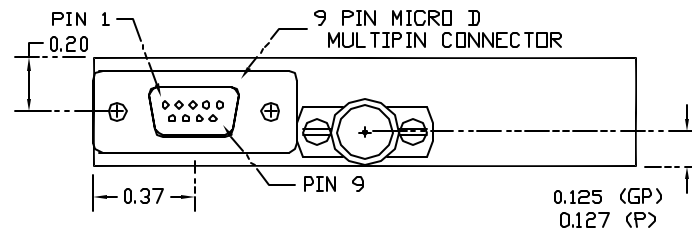
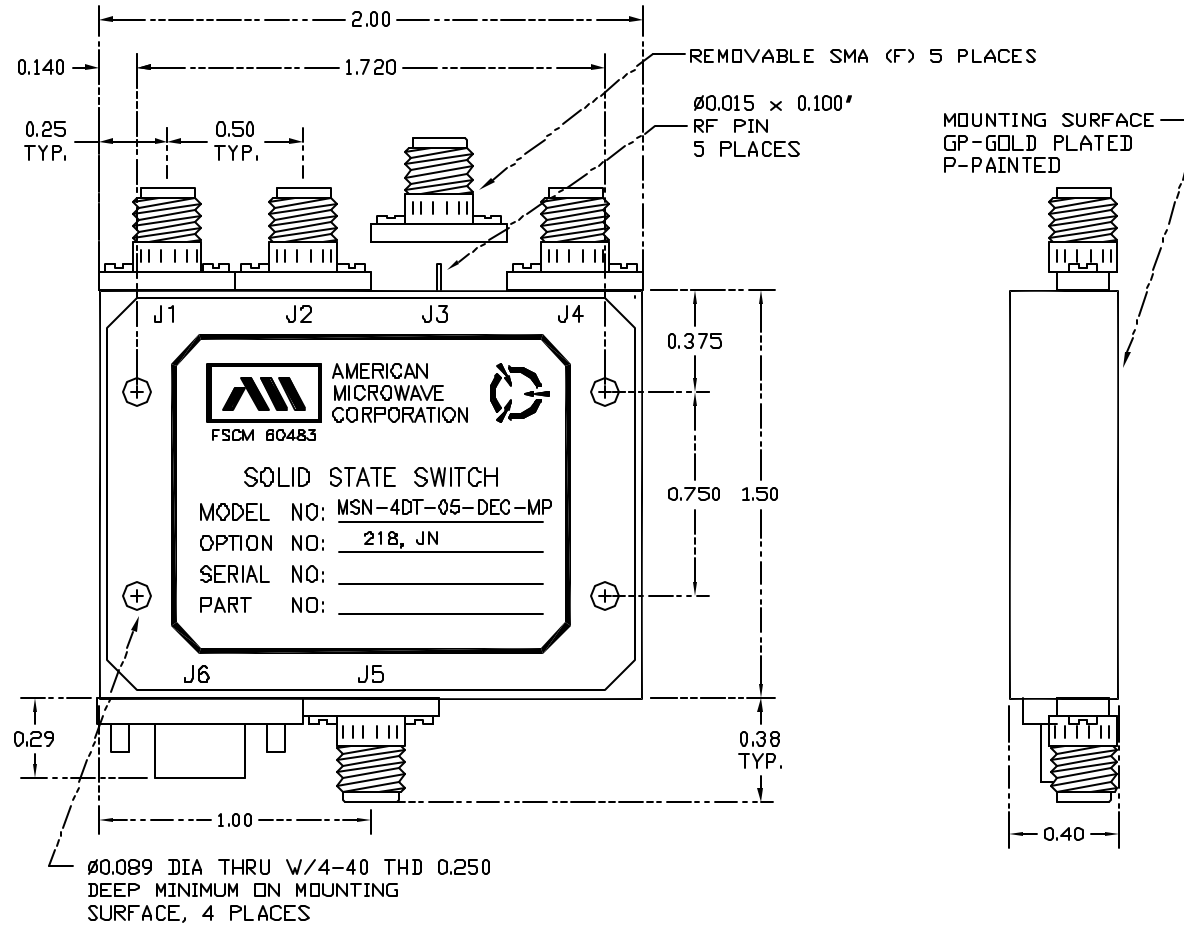
PART NO.		AMERICAN MICROWAVE CORPORATION FREDERICK, MARYLAND	
APPROVALS	DATE	TITLE	
DRAWN <i>R.R.A.</i>	07/20/06	PRODUCT FEATURE MSN-4DT-05-DEC-MP OPTION 218, JN SOLID STATE SWITCH	
CHECKED		SIZE	REV.
ISSUED		FSCM NO. A 60483	DWG NO. 100-4007-7
		SCALE	SHEET 1 of 4


DESCRIPTION:

AMC MODEL MSN-4DT-05-DEC-MP OPTION 218, JN IS A SINGLE POLE FOUR THROW, ABSORPTIVE/NON-REFLECTIVE SWITCH MODULE WITH VERY LOW INSERTION LOSS, HIGH ISOLATION AND WITH INTEGRAL TTL DRIVER, DESIGNED FOR BROADBAND OPERATION.

REVISIONS			DATE	APPROVED
ZONE	REV.	DESCRIPTION		
-	-	ORIGINAL QUOTE # SA205046B	07/20/06	

MECHANICAL OUTLINE DRAWING



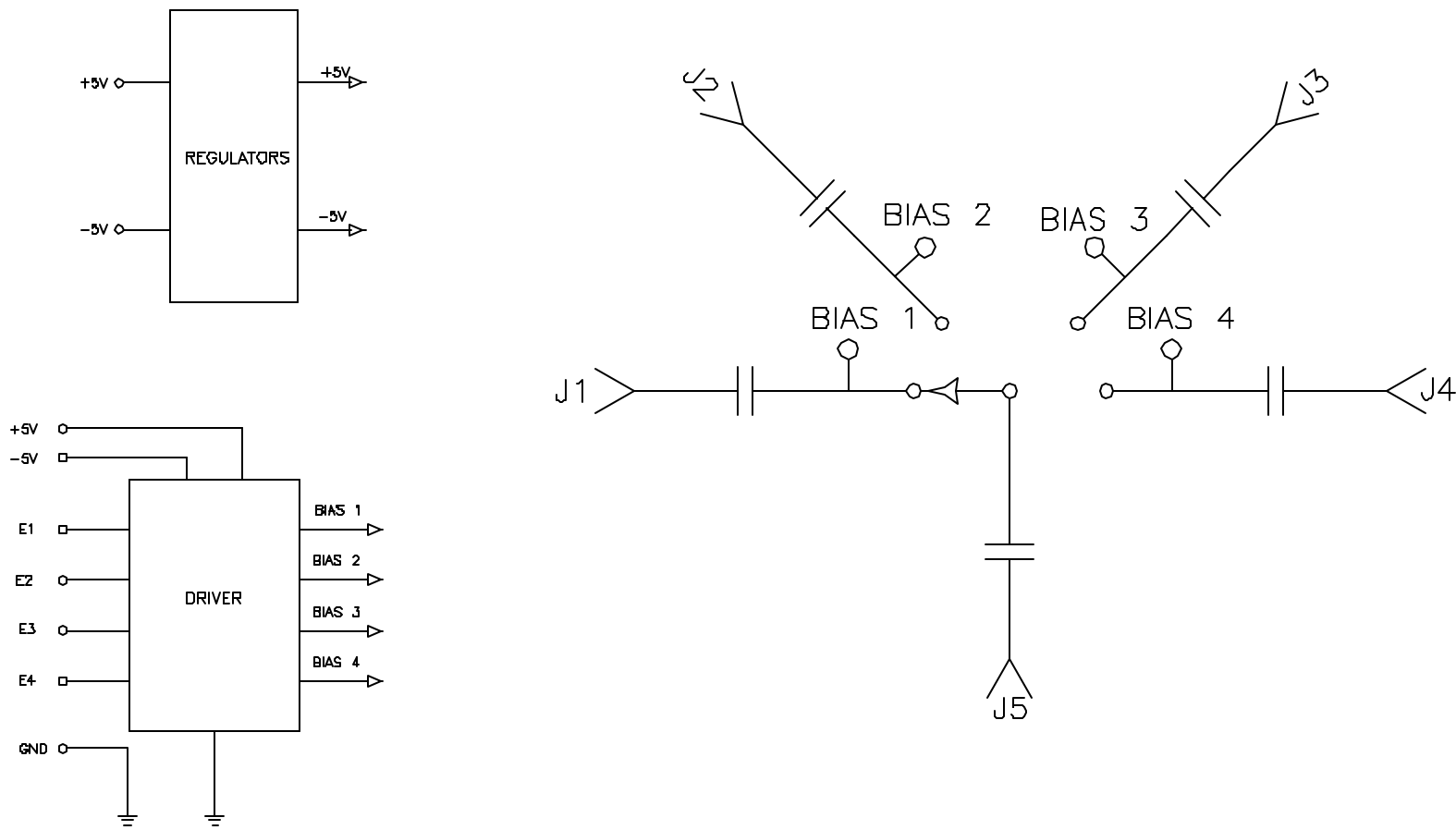
PART NO.		 AMERICAN MICROWAVE CORPORATION FREDERICK, MARYLAND		
APPROVALS	DATE	TITLE		
DRAWN	07/20/06	MECHANICAL OUTLINE DRAWING		
CHECKED		MSN-4DT-05-DEC-MP		
ISSUED		OPTION 218, JN		
		SOLID STATE SWITCH		
SIZE	FSCM NO.	DWG NO.	REV.	
A	60483	100-4007-7	-	
SCALE			SHEET 2 of 4	


DESCRIPTION:

AMC MODEL MSN-4DT-05-DEC-MP OPTION 218, JN IS A SINGLE POLE FOUR THROW, ABSORPTIVE/NON-REFLECTIVE SWITCH MODULE WITH VERY LOW INSERTION LOSS, HIGH ISOLATION AND WITH INTEGRAL TTL DRIVER, DESIGNED FOR BROADBAND OPERATION.

REVISIONS				
ZONE	REV.	DESCRIPTION	DATE	APPROVED
-	-	ORIGINAL QUOTE # SA205046B	07/20/06	

FUNCTIONAL BLOCK DIAGRAM



PART NO.		 AMERICAN MICROWAVE CORPORATION FREDERICK, MARYLAND			
APPROVALS	DATE	TITLE			
DRAWN <i>R.R.A.</i>	07/20/06	FUNCTIONAL BLOCK DIAGRAM MSN-4DT-05-DEC-MP OPTION 218, JN SOLID STATE SWITCH			
CHECKED		SIZE	PSCM NO.	DWG NO.	REV.
ISSUED		A	60483	100-4007-7	-
		SCALE			SHEET 3 of 4